

加工程序:

D

D

C

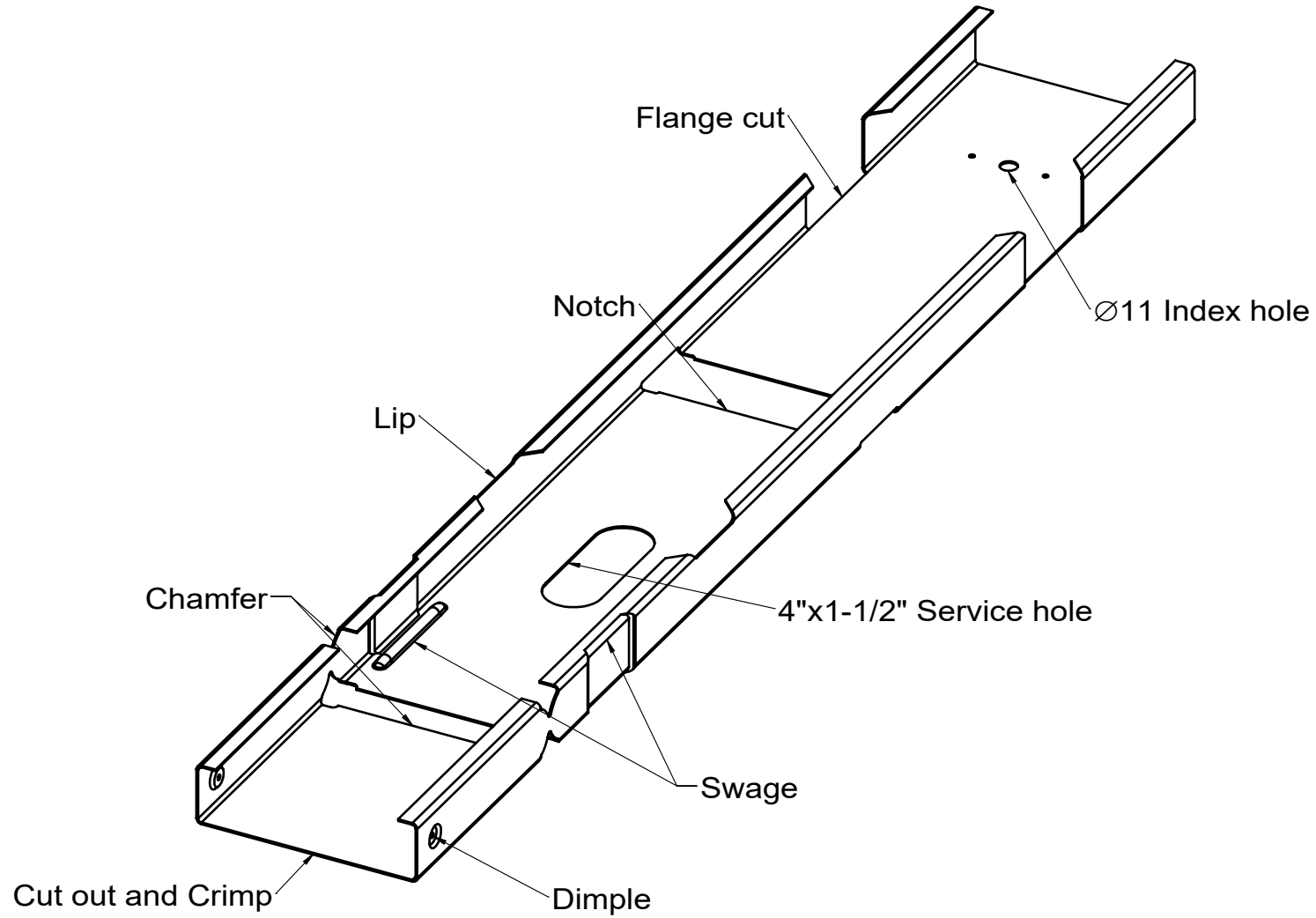
C

B

B

A

A



Rev.	Contents	Modified By	Released	Model X3	PartNo. X3-Infinity	PartName X3-Infinity standard
				Material	Treatment	Page 1 of 1 A4 Unit mm
				Approval	Check	Design Wilson Lin Scale: 1:4
				Supplier Part	Description	Released 2019/9/24 Revision